

303700

Illustrated Parts List

Model Series

303700

TYPE NUMBERS
0001 through 1202.

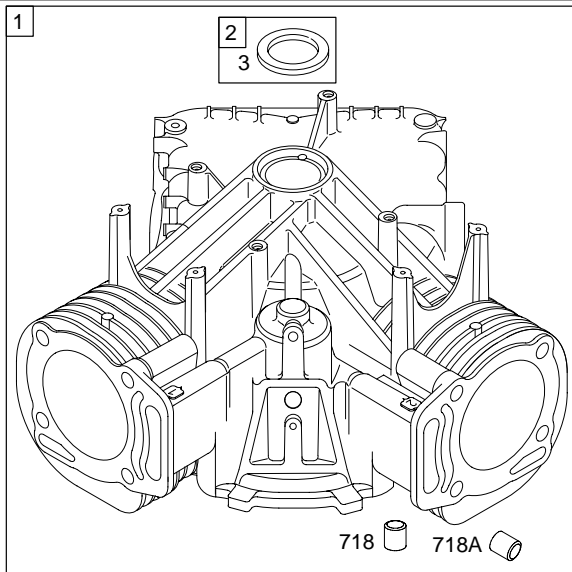
TABLE OF CONTENTS

Air Cleaner	9
Alternator	8
Blower Housing	13
Cams	4
Carburetor	7
Controls	8
Crankcase Cover/Sump	2
Crankshaft	4
Cylinder	2
Electric Starter	15
Flywheel Group	12
Head	6
Ignition	8
Intake Manifolds	5
Kit/Gaskets-Carburetor	3
Kit/Gaskets-Engine	3
Kit/Gaskets-Valve	3
Muffler	10
Oil	16
Piston Group	2
Rewind	11
Shrouds	14

PRINTED IN U.S.A.



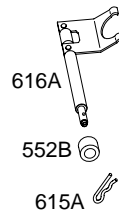
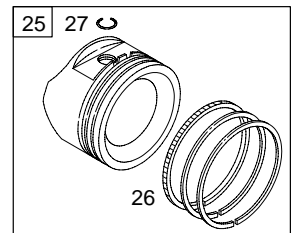
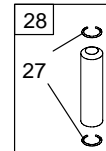
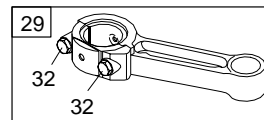
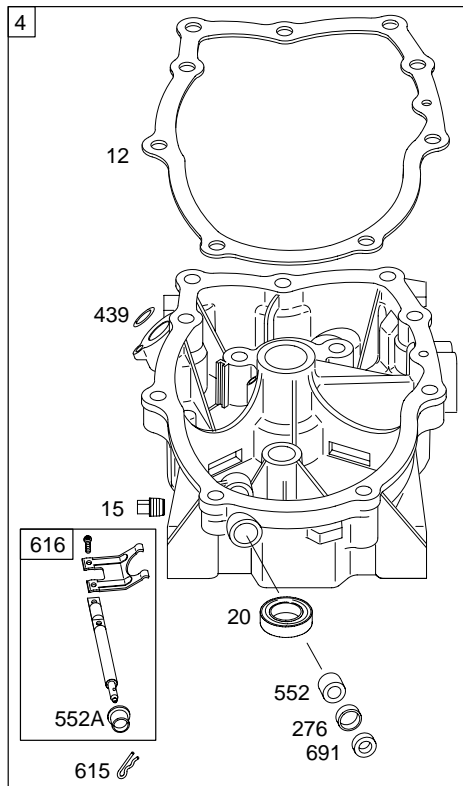
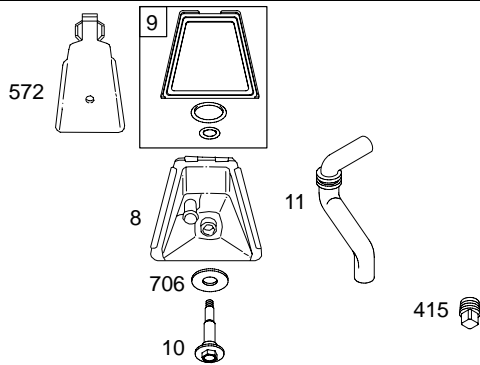
COPYRIGHT by BRIGGS & STRATTON CORPORATION
All rights reserved. No part of this material may be reproduced or transmitted, in any form or by any means, electronic or mechanical, including photocopying, recording or by any information storage and retrieval system, without permission in writing from Briggs & Stratton Corporation.



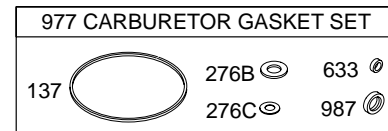
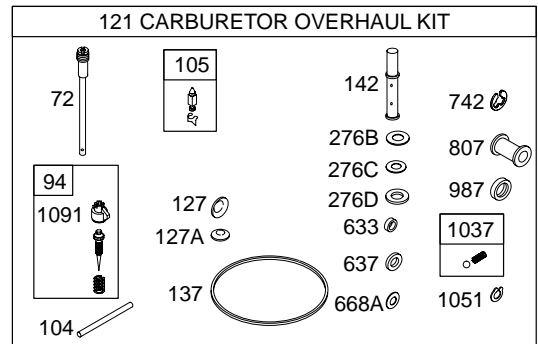
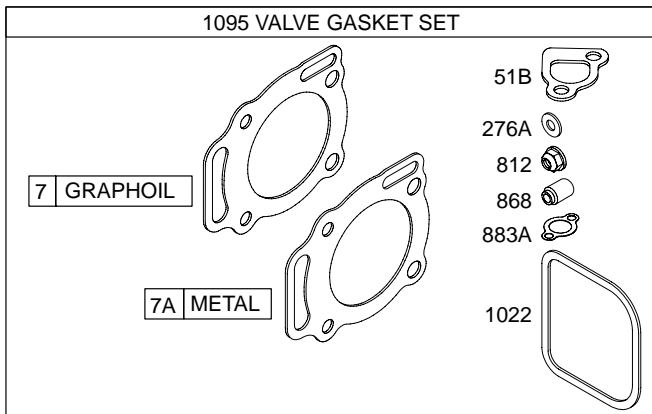
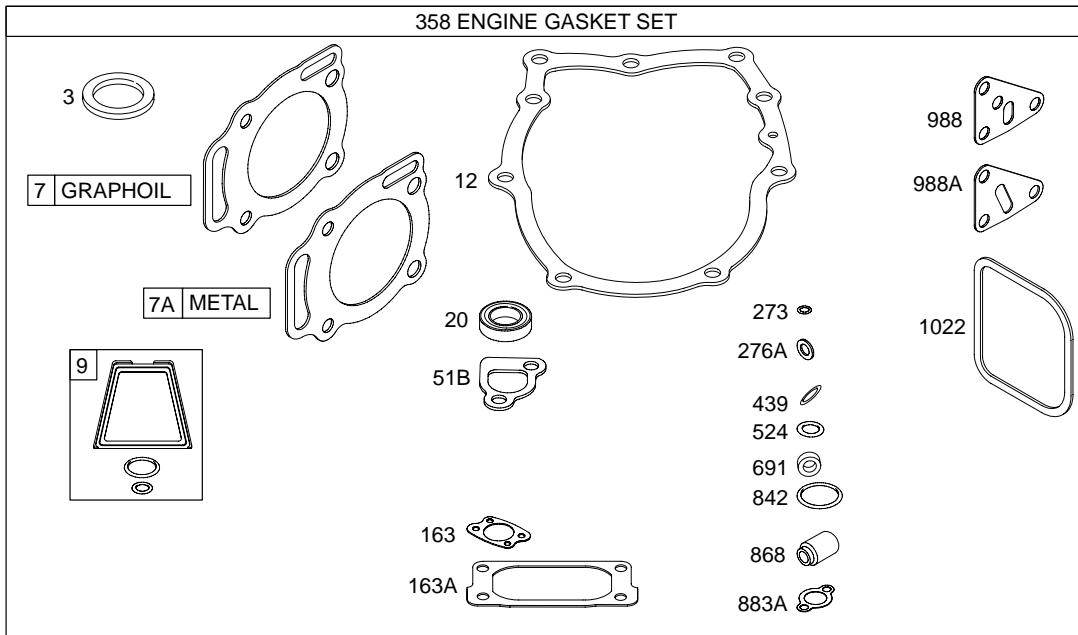
1019 LABEL KIT

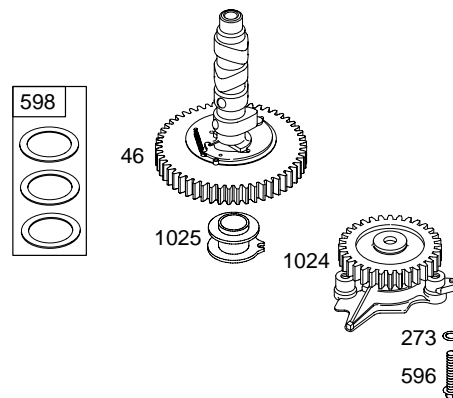
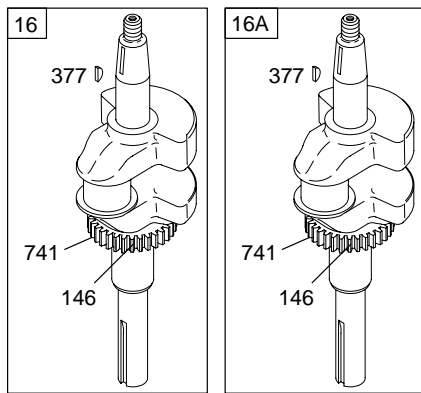
1330 REPAIR MANUAL

1058 OWNER'S MANUAL

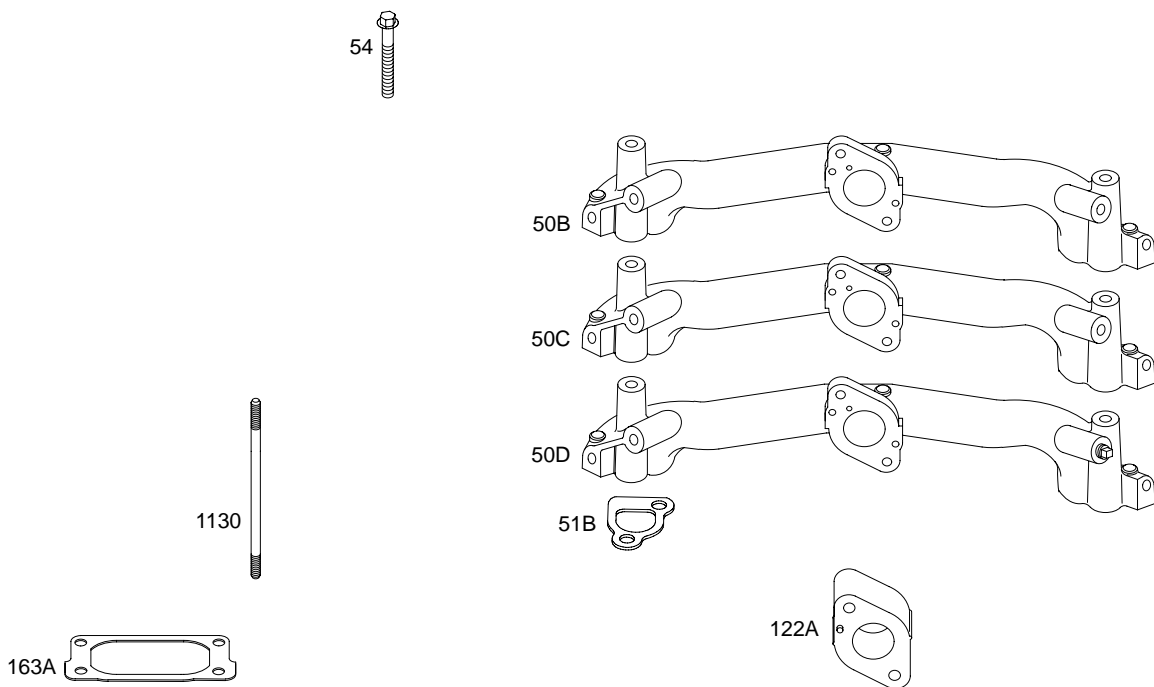


Illustrations cover a range of engines. Parts shown without corresponding text may not be used on your specific engine.
 9727-2 Assemblies include all parts shown in frames. 05/06/2004

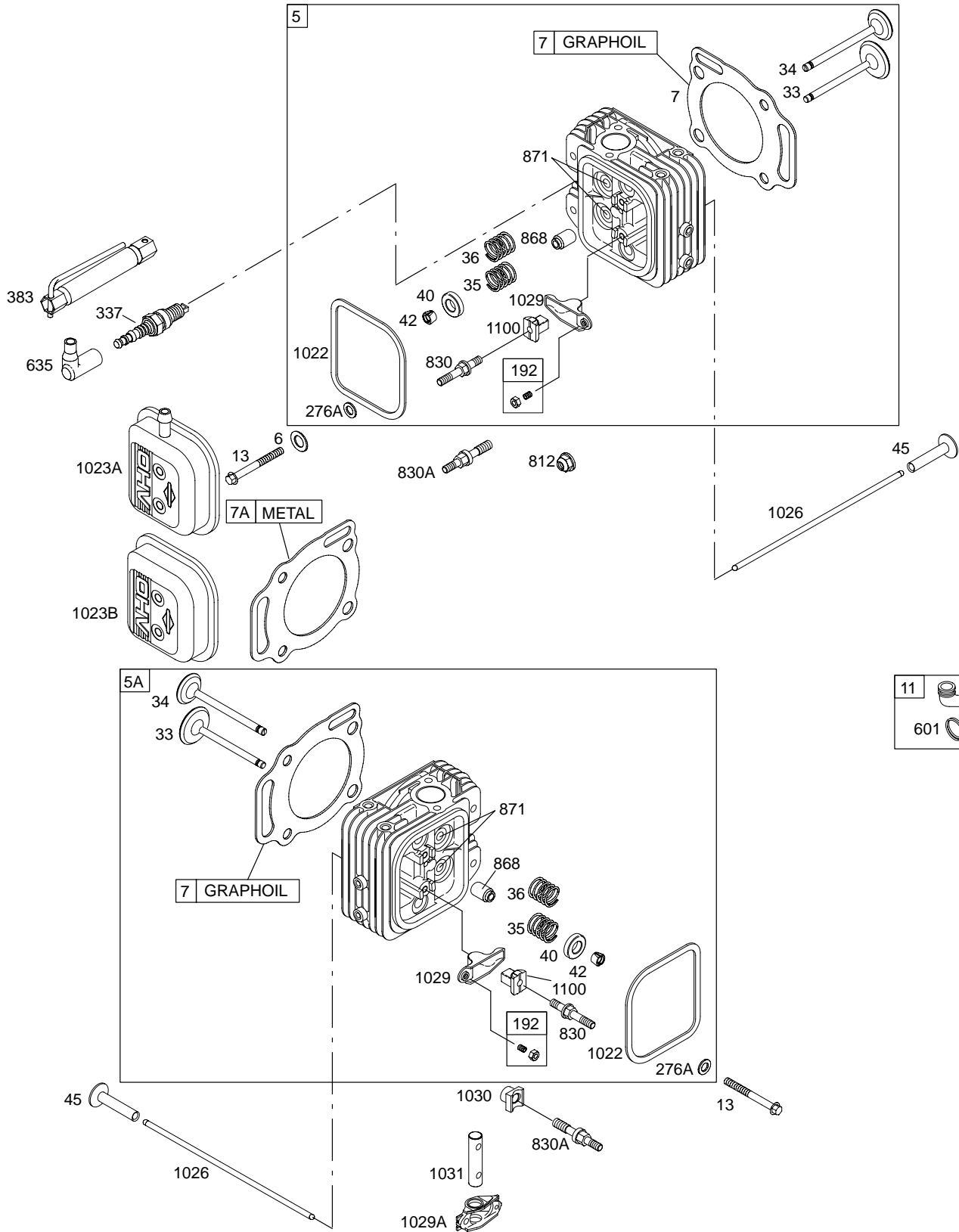




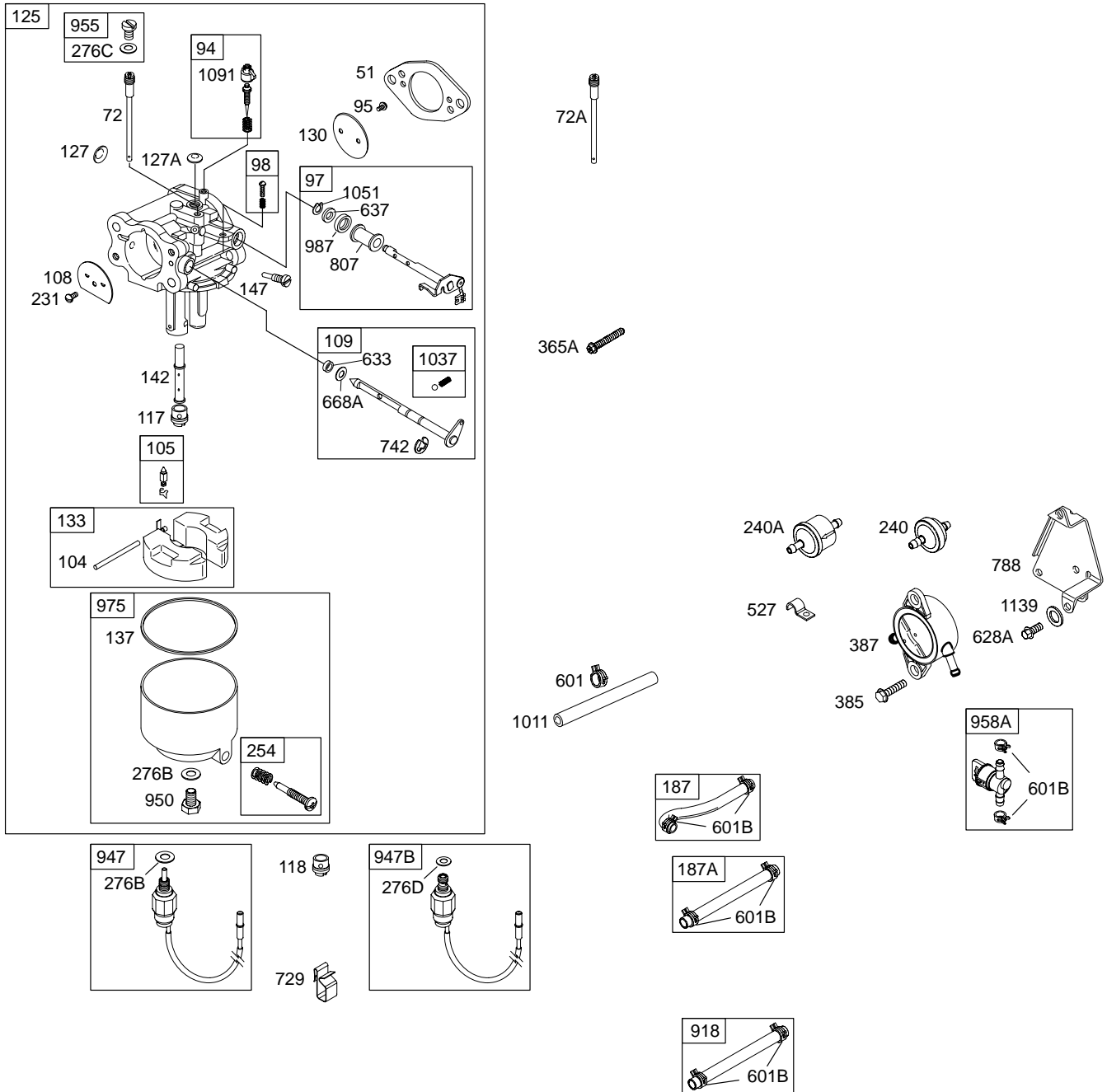
Illustrations cover a range of engines. Parts shown without corresponding text may not be used on your specific engine.
 9727-4 Assemblies include all parts shown in frames. 05/06/2004



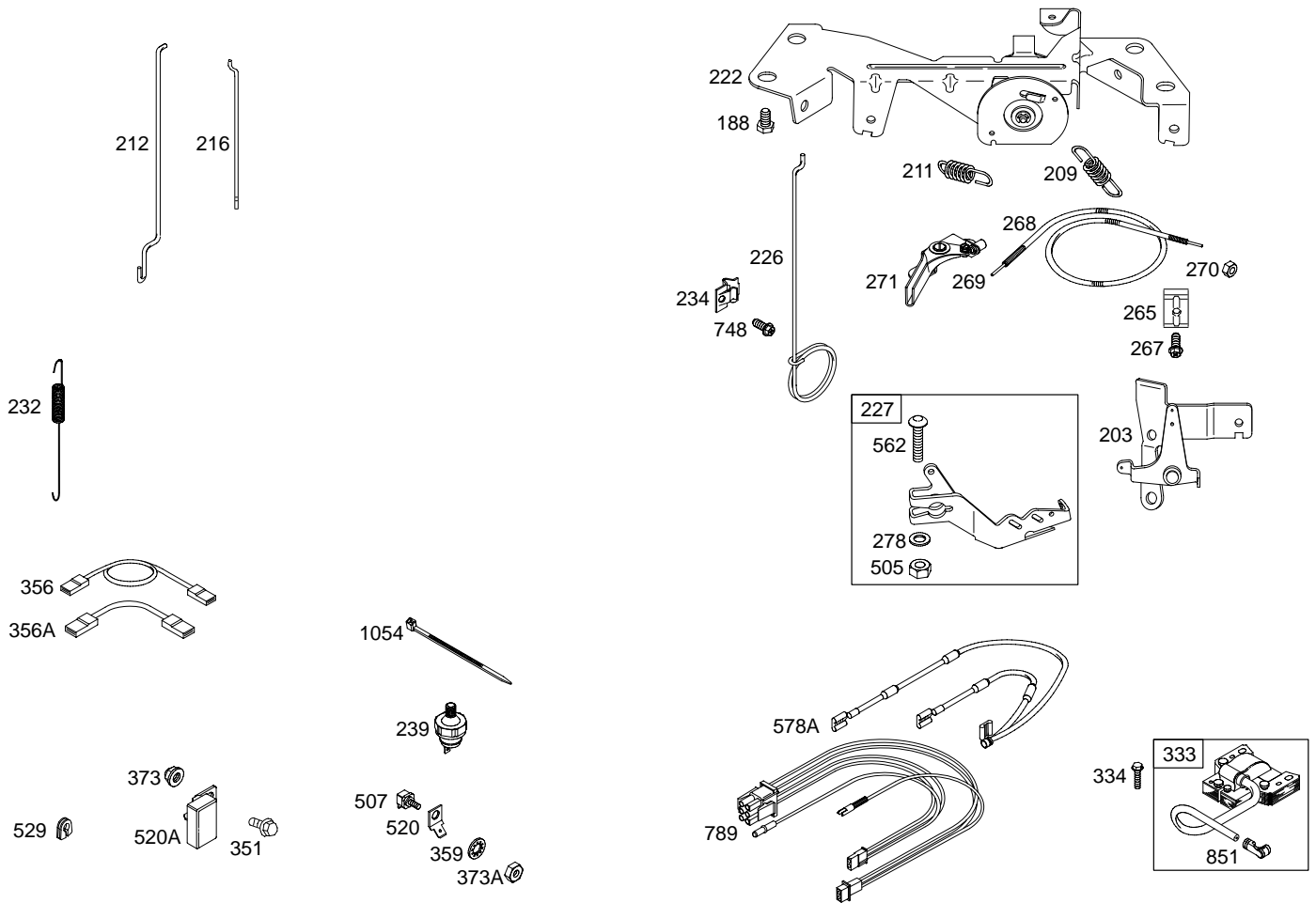
Illustrations cover a range of engines. Parts shown without corresponding text may not be used on your specific engine.

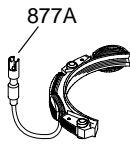
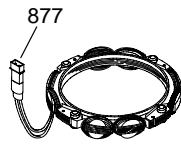
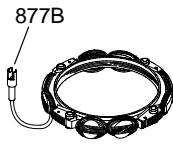
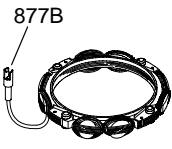
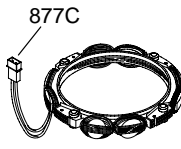


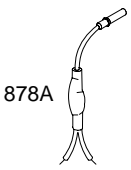

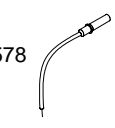

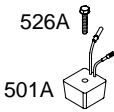



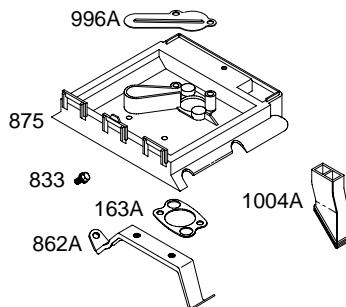
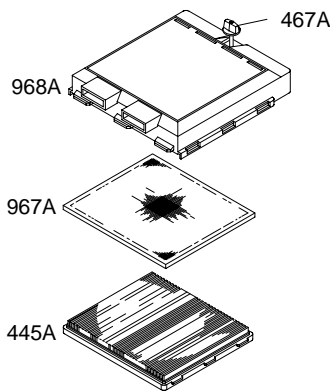
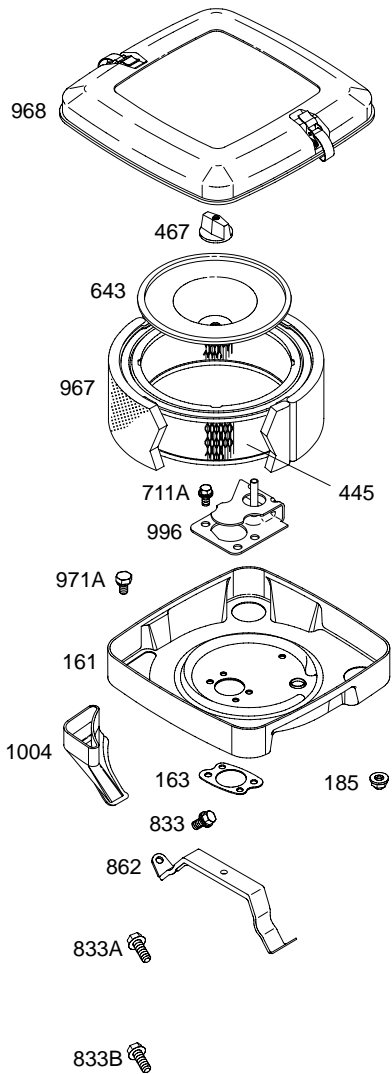
Illustrations cover a range of engines. Parts shown without corresponding text may not be used on your specific engine.
9727-6 Assemblies include all parts shown in frames. **05/06/2004**



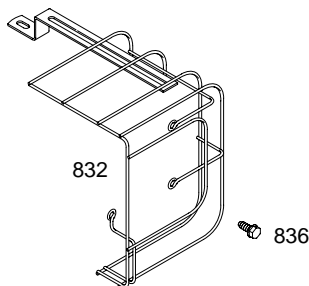
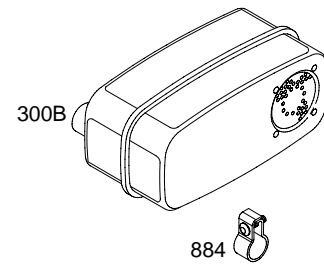
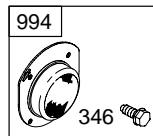
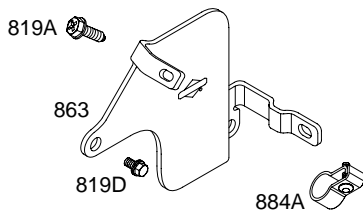
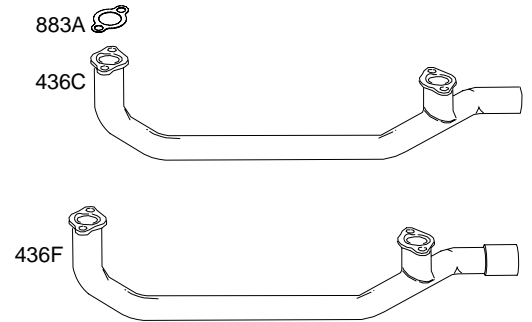
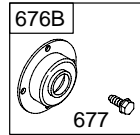
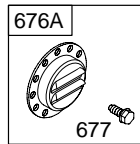
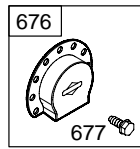
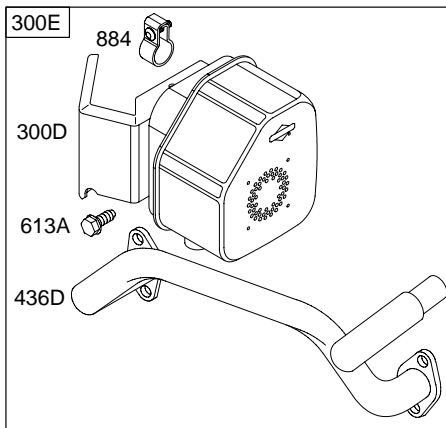
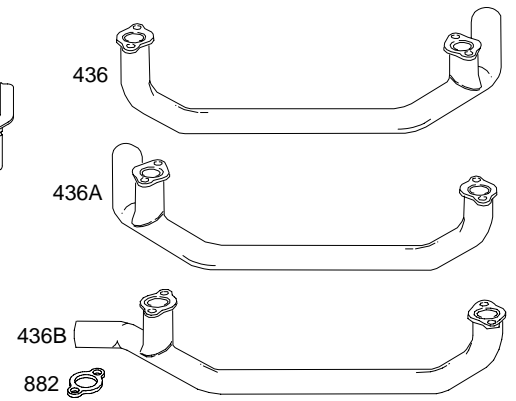
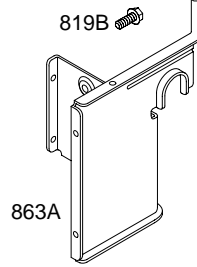
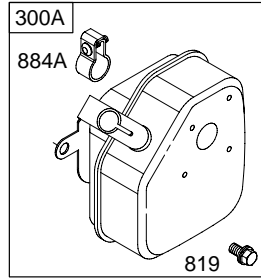
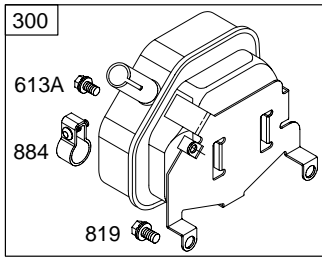
Illustrations cover a range of engines. Parts shown without corresponding text may not be used on your specific engine.
 9727-7 Assemblies include all parts shown in frames. 05/06/2004



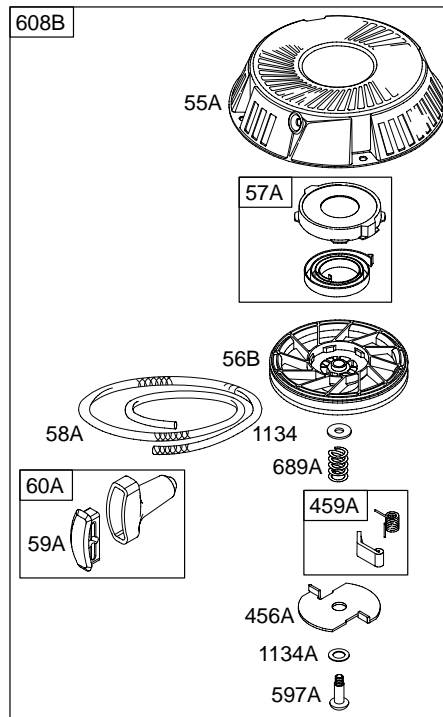
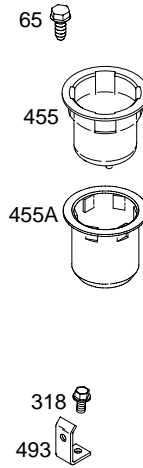
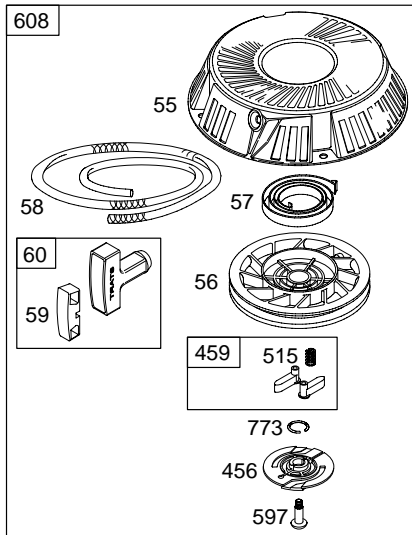
DC ONLY	DUAL CIRCUIT	TRI CIRCUIT	5 – 9 AMP	10 – 16 AMP
474A	474B	474C	474C	474D
				
				
<p>NOTE: All stators use a No. 1119 mounting screw. </p> <p>NOTE: The proper flywheel part number and/or the alternator magnet size will determine the alternator type or output. See repair instruction manual for additional information.</p>				



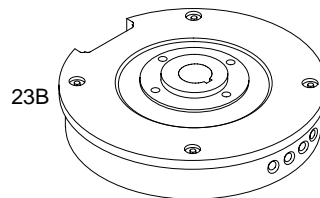
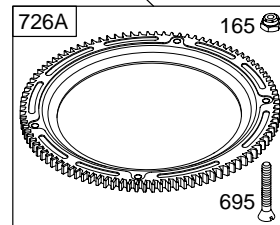
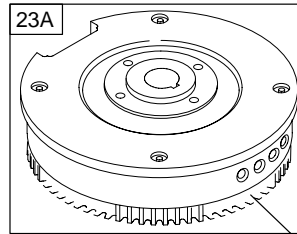
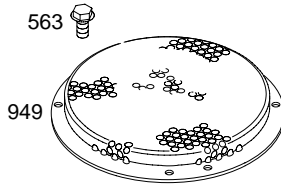
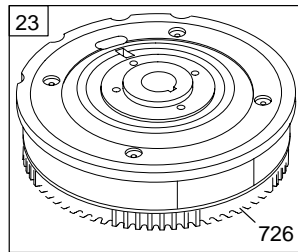
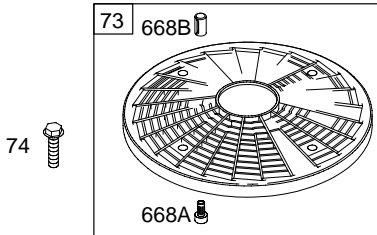
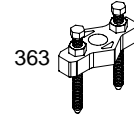
Illustrations cover a range of engines. Parts shown without corresponding text may not be used on your specific engine.
 9727-9 Assemblies include all parts shown in frames. 05/06/2004

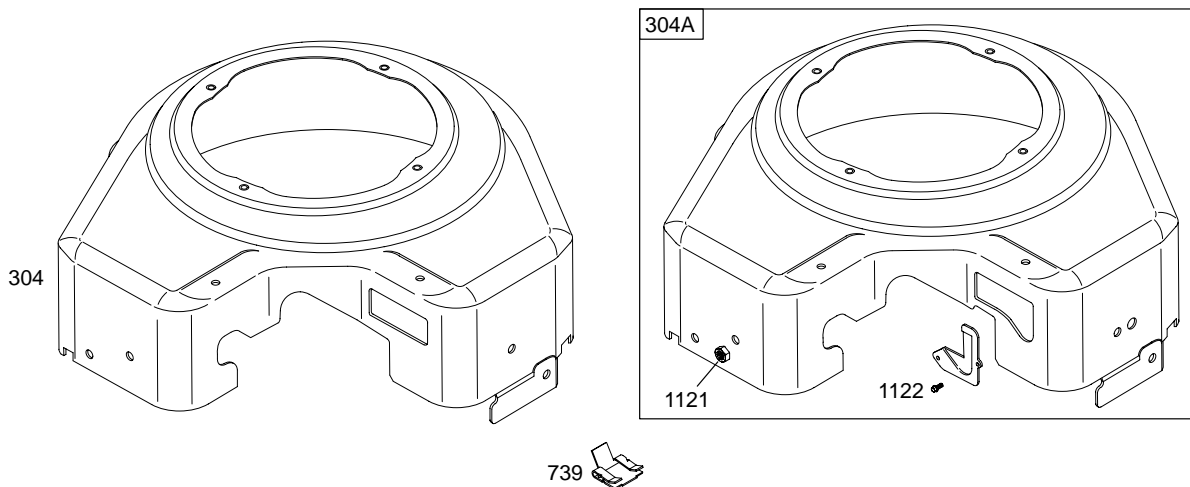


Illustrations cover a range of engines. Parts shown without corresponding text may not be used on your specific engine.
9727-10 Assemblies include all parts shown in frames. **05/06/2004**

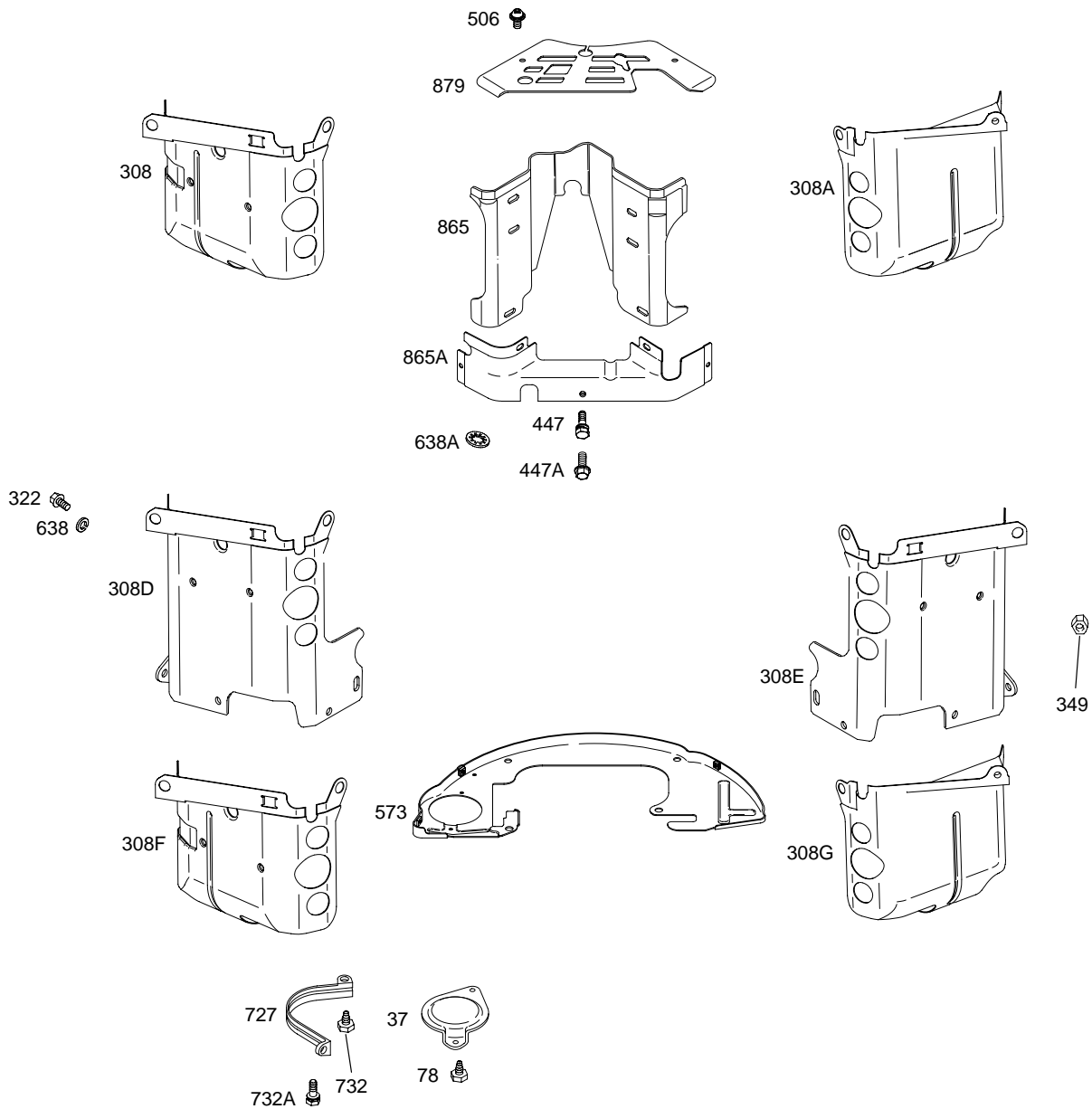


Illustrations cover a range of engines. Parts shown without corresponding text may not be used on your specific engine.
 9727-11 Assemblies include all parts shown in frames. 05/06/2004



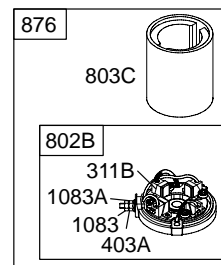
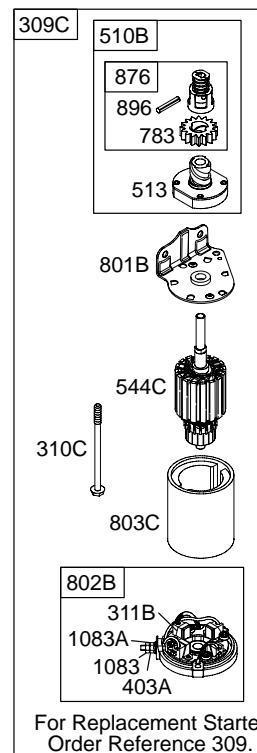
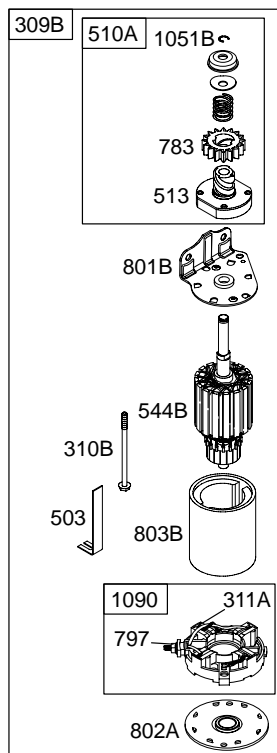
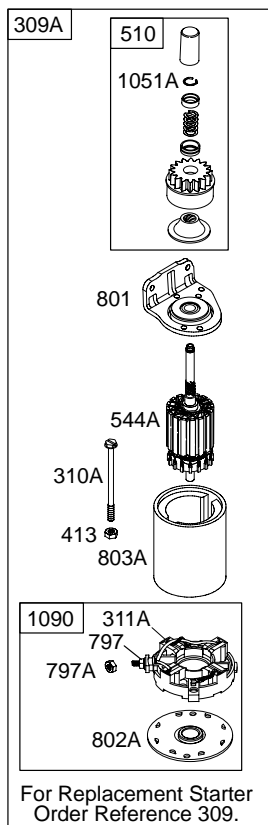
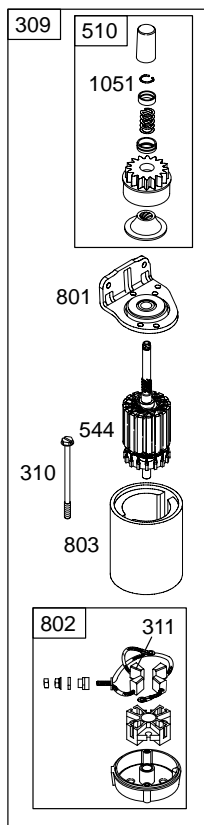


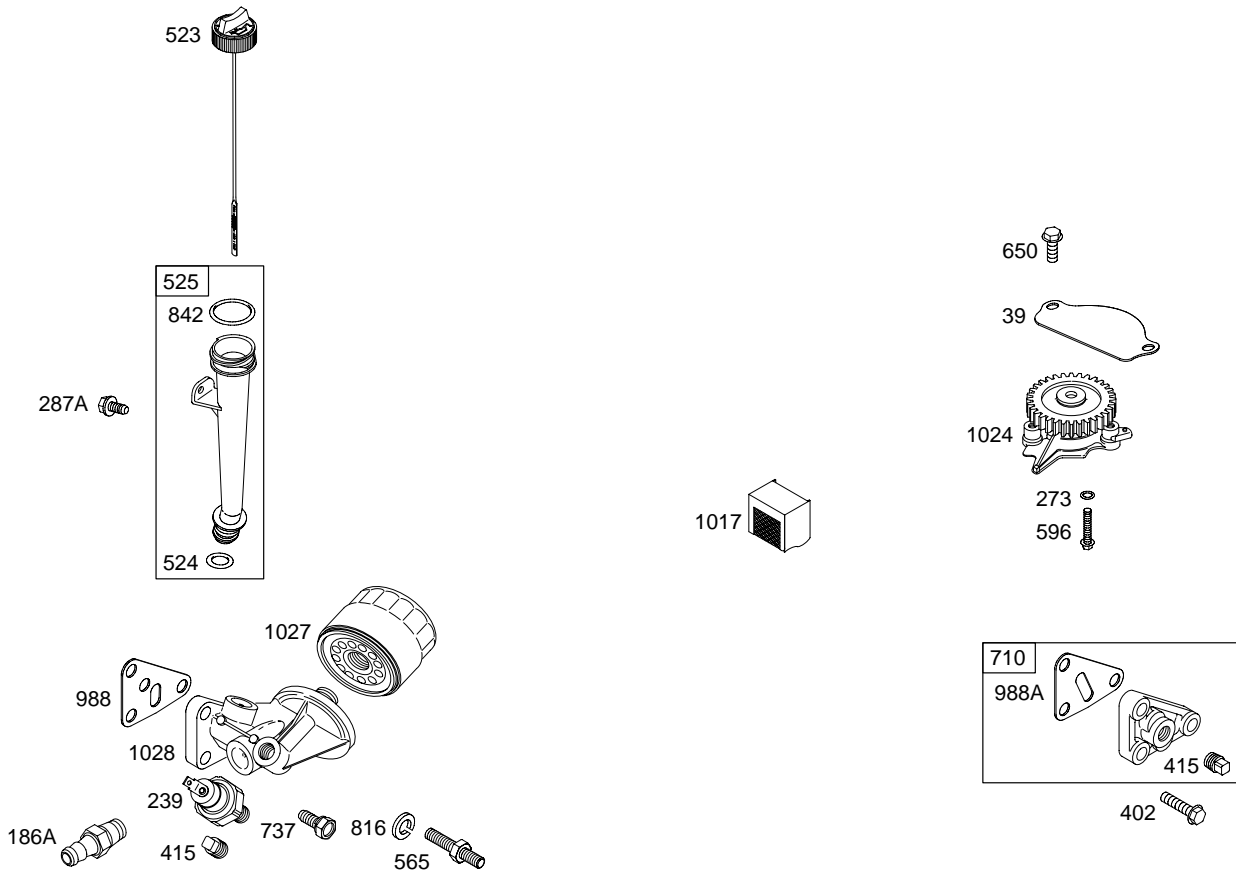
1036 EMISSION LABEL



Illustrations cover a range of engines. Parts shown without corresponding text may not be used on your specific engine.
9727-14 Assemblies include all parts shown in frames. **05/06/2004**

697 





Illustrations cover a range of engines. Parts shown without corresponding text may not be used on your specific engine.
9727-16 Assemblies include all parts shown in frames. **05/06/2004**

REF. NO.	PART NO.	DESCRIPTION	REF. NO.	PART NO.	DESCRIPTION	REF. NO.	PART NO.	DESCRIPTION
1	692543	Cylinder Assembly (Used After Code Date 97043000). ———— Note ———— 807511 Cylinder Assembly (Used Before Code Date 97050100).	10	690751	Screw (Breather Assembly) (Used After Code Date 90111400). ———— Note ———— 805194 Screw (Breather Assembly) (Used Before Code Date 90111500).	20	★805049	Seal—Oil (PTO Side)
2	808534	Kit—Bushing/Seal (Magneto Side) (Used After Code Date 97043000). ———— Note ———— 807687 Kit—Bushing/Seal (Magneto Side) (Used Before Code Date 97050100).	11	806083	Tube—Breather	22	807362	Screw (Crankcase Cover/Sump)
3	★805101	Seal—Oil (Magneto Side)	12	★691684	Gasket—Crankcase	23	808766	Flywheel (Steel Ring Gear) ———— Note ———— 808774 Flywheel (Steel Ring Gear) Used on Type No(s). 1128, 1130, 1145, 1147, 1149, 1169, 1171, 1172, 1175.
4	808846	Sump—Engine	13	692059	Screw (Cylinder Head)(86mm Long)	23A	690919	Flywheel (Aluminum Ring Gear) ———— Note ———— 690891 Flywheel (Aluminum Ring Gear) Used on Type No(s). 0100, 0101, 0127, 0139, 0428, 0430, 0434, 1121, 1128, 1130, 1145, 1147.
5	809200	Head—Cylinder (Cylinder 1)	15	690946	Plug—Oil Drain (Square Head)	23B	690889	Flywheel (Rewind Starter)
5A	809201	Head—Cylinder (Cylinder 2)	16	692159	Crankshaft (Used After Code Date 97043000). ———— Note ———— 807804 Crankshaft (Used Before Code Date 97050100). Used on Type No(s). 0330, 0425, 1125.	25	807619	Piston Assembly (Standard) ———— Note ———— 807809 Piston Assembly (.020" Oversize)
6	805193	Washer (Cylinder Head) (Used Before Code Date 94050100).	16A	692160	Crankshaft (Used After Code Date 97043000). Used on Type No(s). 0119, 1125. ———— Note ———— 807587 Crankshaft (Used Before Code Date 97050100). Used on Type No(s). 0119.	26	807620	Ring Set (Standard) ———— Note ———— 807810 Ring Set (.020" Oversize)
7	△★806085	Gasket—Cylinder Head (Graphoil) (Used After Code Date 96033100).				27	690683	Lock—Piston Pin
7A	△★807986	Gasket—Cylinder Head (Metal) (Used Before Code Date 96040100).				28	807621	Pin—Piston
8	808988	Breather Assembly						
9	★809094	Gasket—Breather						

★ Included in Engine Gasket Set—Ref. No. 358.

● Included in Carburetor Overhaul Kit—Ref. No. 121.

◆ Included in Carburetor Gasket Set—Ref. No. 977.

△ Included in Valve Gasket Set—Ref. No. 1095.

Illustrations cover a range of engines. Parts shown without corresponding text may not be used on your specific engine.
9727-17 Assemblies include all parts shown in frames. 05/06/2004

303700

REF. NO.	PART NO.	DESCRIPTION	REF. NO.	PART NO.	DESCRIPTION	REF. NO.	PART NO.	DESCRIPTION
29	807900	Rod-Connecting (Standard) Note 807803 Rod-Connecting (.020" Undersize)	56	692085	Pulley-Starter	94	●808258	Kit-Idle Mixture (Used After Code Date 95092700). Note
32	690698	Screw (Connecting Rod)	56B	280918	Pulley-Starter			807707 Kit-Idle Mixture (Used Before Code Date 95092800).
33	807681	Valve-Exhaust	57	692086	Spring-Rewind Starter	95	690728	Screw (Throttle Valve)
34	807680	Valve-Intake	57A	492194	Spring-Rewind Starter	97	808323	Shaft-Throttle (Used After Code Date 92040600). Note
35	692084	Spring-Valve (Intake)	58	66574	Rope-Starter (Cut To Required Length)			807709 Shaft-Throttle (Used Before Code Date 94040700).
36	692084	Spring-Valve (Exhaust)	58A	695002	Rope-Starter (Cut To Required Length)	98	807705	Kit-Idle Speed
37	690715	Guard-Flywheel (Black) Note 805504 Guard-Flywheel (Red)	59	805957	Insert-Grip	104	●690739	Pin-Float Hinge
39	690745	Deflector-Oil	59A	490653	Insert-Grip	105	●807706	Valve-Float Needle
40	692058	Retainer-Valve	60	808167	Grip-Starter Rope	108	690729	Valve-Choke
42	807683	Keeper-Valve	60A	490652	Grip-Starter Rope	109	807711	Shaft-Choke
45	690977	Tappet-Valve	65	691982	Screw (Rewind Starter)	117	●806487	Jet-Main (Standard) (Used After Code Date 98062600).
46	691557	Camshaft	72	●806488	Tube-Jet (Used After Code Date 98062600). Note 690755 Tube-Jet (Used After Code Date 92040600 and Before Code Date 98062700).	118	806634	Jet-Main (High Altitude) (Used After Code Date 98062600).
50B	690754	Manifold-Intake			806480 Tube-Jet (Used Before Code Date 92040700).			
50C	692156	Manifold-Intake Used on Type No(s). 1165.	72A	694069	Tube-Jet (High Altitude) (Used After Code Date 98062600).			
50D	692124	Manifold-Intake Used on Type No(s). 1156.	73	494439	Screen-Rotating			
51	691694	Gasket-Intake (Manifold/Carburetor Spacer)	74	691647	Screw (Rotating Screen)			
51B	★△692035	Gasket-Intake (Manifold/Heads)	75	691490	Washer (Flywheel)			
54	690676	Screw (Intake Manifold)	78	690688	Screw (Flywheel Guard)			
55	691568	Housing-Rewind Starter						
55A	492193	Housing-Rewind Starter						

★ Included in Engine Gasket Set-Ref. No. 358.

● Included in Carburetor Overhaul Kit-Ref. No. 121.

◆ Included in Carburetor Gasket Set-Ref. No. 977.

△ Included in Valve Gasket Set-Ref. No. 1095.

Illustrations cover a range of engines. Parts shown without corresponding text may not be used on your specific engine.

REF. NO.	PART NO.	DESCRIPTION	REF. NO.	PART NO.	DESCRIPTION	REF. NO.	PART NO.	DESCRIPTION
121	808807	Kit-Carburetor Overhaul (Used After Code Date 98062600). ———— Note ———— 808324 Kit-Carburetor Overhaul (Used After Code Date 92040600 and Before Code Date 98062700). 807708 Kit-Carburetor Overhaul (Used Before Code Date 92040700).	142	●806635	Nozzle-Carburetor (Standard) (Used After Code Date 98062600). ———— Note ———— 807960 Nozzle-Carburetor (Standard) (Used After Code Date 92040600 and Before Code Date 98062700). 807712 Nozzle-Carburetor (Standard) (Used Before Code Date 92040700).	192	807623	Adjuster-Rocker Arm
122A	690753	Spacer-Carburetor (Used After Code Date 92061600). ———— Note ———— 690692 Spacer-Carburetor (Used Before Code Date 92061700).	146	691639	Key-Timing	203	690923	Crank-Bell
125	808728	Carburetor (Used After Code Date 92040600). ———— Note ———— 807639 Carburetor (Used Before Code Date 92040700).	161	691561	Base-Air Cleaner (Metal)	209	692070	Spring-Governor (Red)
127	●690731	Plug-Welch (6.9mm Diameter)	163	★692081	Gasket-Air Cleaner (Used With Metal Air Cleaner Base)			———— Note ———— 692071 Spring-Governor (White) Used on Type No(s). 0032, 0124, 0133, 0330, 0332, 0412, 0425, 0430, 0431, 0436, 1032, 1035, 1112, 1121, 1125, 1130, 1134, 1136, 1138, 1142, 1144, 1147, 1153, 1161, 1174, 1189, 1191, 1192, 1193, 1194, 1195, 1196, 1199, 1202.
127A	●690730	Plug-Welch (9mm Diameter)	163A	★692052	Gasket-Air Cleaner (Used With Plastic Air Cleaner Base)			691508 Spring-Governor (Blue) Used on Type No(s). 0007, 0121, 0127, 0131, 0135, 0137, 0440, 1116, 1132, 1140, 1150, 1168, 1188.
130	690732	Valve-Throttle	165	693148	Nut (Ring Gear)			690710 Spring-Governor (Silver) Used on Type No(s). 0122, 0331, 0411, 0418, 0424, 0434, 0439, 1111, 1114, 1118, 1124, 1139, 1145, 1151, 1162, 1163, 1164, 1165, 1167.
133	807710	Float-Carburetor	185	690939	Nut (Air Cleaner Base)			692072 Spring-Governor (Purple) Used on Type No(s). 0416, 0420, 0426, 0431, 0438, 1116, 1120, 1126, 1131, 1138, 1148, 1166, 1169, 1171, 1172.
137	◆●806481	Gasket-Float Bowl	186A	691764	Connector-Hose			
			187	296004	Line-Fuel Used on Type No(s). 1172.			
			187A	691050	Line-Fuel (Cut To Required Length)			
			188	692056	Screw (Control Bracket)			

★ Included in Engine Gasket Set-Ref. No. 358.

● Included in Carburetor Overhaul Kit-Ref. No. 121.

◆ Included in Carburetor Gasket Set-Ref. No. 977.

△ Included in Valve Gasket Set-Ref. No. 1095.

Illustrations cover a range of engines. Parts shown without corresponding text may not be used on your specific engine.
9727-19 Assemblies include all parts shown in frames. 05/06/2004

303700

REF. NO.	PART NO.	DESCRIPTION	REF. NO.	PART NO.	DESCRIPTION	REF. NO.	PART NO.	DESCRIPTION
211	692069	Spring–Governed Idle	276A	★△691766	Washer–Sealing (Rocker Cover)	305	692056	Screw (Blower Housing)
212	690712	Link–Throttle	276B	◆●806476	Washer–Sealing (Float Bowl)	305A	692062	Screw (Blower Housing)
216	690705	Link–Choke	276C	◆●806477	Washer–Sealing (Carburetor Plug)	305B	841233	Screw (Blower Housing)
222	808454	Bracket–Control	276D	●692343	Washer–Sealing (Float Bowl)	308	807868	Cover–Cylinder Head (Cylinder 1) (Used After Code Date 90111600).
226	692075	Rod–Hand Choke	278	690237	Washer (Governor Control Lever)	———— Note ————		
227	690236	Lever–Governor Control	287A	807084	Screw (Dipstick Tube)	807656 Cover–Cylinder Head (Cylinder 1) (Used Before Code Date 90111700).		
231	690728	Screw (Choke Valve)	300	807741	Muffler	806547 Cover–Cylinder Head (Cylinder 1) (Used Before Code Date 03110100).		
232	692073	Spring–Governor Link	300A	807742	Muffler	841232 Cover–Cylinder Head (Cylinder 1) (Used After Code Date 03103100).		
234	691723	Clip–Control Rod	300B	498984	Muffler	308A	807869	Cover–Cylinder Head (Cylinder 2) (Used After Code Date 90111600).
239	690233	Switch–Oil Pressure (Oil GARD Only)	300D	692099	Muffler	———— Note ————		
240	394358	Filter–Fuel (White, 75 Microns)	300E	807969	Muffler	807657 Cover–Cylinder Head (Cylinder 2) (Used Before Code Date 90111700).		
240A	691035	Filter–Fuel (Includes Paper Element With A 40 Micron Rating)	304	807814	Housing–Blower (Black)(For Plastic Air Cleaner Base) (Used After Code Date 90111600).	308D	806545	Cover–Cylinder Head (Cylinder 1)
254	807713	Drain–Carburetor Bowl	———— Note ————			308E	806544	Cover–Cylinder Head (Cylinder 2)
265	691024	Clamp–Casing	807892	Housing–Blower (Red)(For Plastic Air Cleaner Base) (Used Before Code Date 90111700).				
267	841552	Screw (Casing Clamp)	807654	Housing–Blower (Red)(For Plastic Air Cleaner Base) (Used Before Code Date 90111700).				
268	691025	Casing–Control Wire (Cut To Required Length)	304A	808055	Housing–Blower (Red)	———— Note ————		
269	691026	Wire–Control (Cut To Required Length)	808408	Housing–Blower (Black)				
270	691027	Nut (Control Wire Casing)						
271	691028	Lever–Control						
273	★690681	Seal–O Ring (Oil Pump)						
276	690704	Washer–Sealing (Crankcase Cover/Sump)						
———— Note ————								
807085 Washer–Sealing (Crankcase Cover/Sump)								

★ Included in Engine Gasket Set–Ref. No. 358.

● Included in Carburetor Overhaul Kit–Ref. No. 121.

◆ Included in Carburetor Gasket Set–Ref. No. 977.

△ Included in Valve Gasket Set–Ref. No. 1095.

Illustrations cover a range of engines. Parts shown without corresponding text may not be used on your specific engine.

REF. NO.	PART NO.	DESCRIPTION	REF. NO.	PART NO.	DESCRIPTION	REF. NO.	PART NO.	DESCRIPTION
308F	841182	Cover–Cylinder Head (Cylinder 2) (Used After Code Date 03103100).	334	692066	Screw (Magneto Armature) Note	403A	690288	Washer (End Cap)
308G	806546	Cover–Cylinder Head (Cylinder 2) (Used Before Code Date 03110100).		691552	Screw (Magneto Armature)	413	693587	Nut (Starter Motor)
309	691564	Motor–Starter (Steel Ring Gear Only)	337	491055	Plug–Spark	415	690283	Plug (Square Head)
309A		Motor–Starter (Services Steel Ring Gear Only)(For Replacement Starter Motor, SeeReference 309)	346	690661	Screw (Spark Arrestor)	436	692061	Manifold–Exhaust (Cylinder 2)(Side Outlet)(Used With Customer Supplied Muffler)
309B	499521	Motor–Starter	349	690238	Nut (Cylinder Head Cover)	436A	691499	Manifold–Exhaust (Cylinder 1)(Side Outlet)(Used With Customer Supplied Muffler)
309C		Motor–Starter	351	692083	Screw (Ground Terminal)	436B	691502	Manifold–Exhaust (Cylinder 1)(Side Outlet)(Used With Customer Supplied Muffler)
310	496880	Screw (Starter Motor)	356	807593	Wire–Stop (Cylinder 2) Note	436C	691501	Manifold–Exhaust (Cylinder 2)(Side Outlet)(Used With Customer Supplied Muffler)
310A	690323	Screw (Starter Motor)		807063	Wire–Stop (Cylinder 2) Used on Type No(s). 1114.	436D	805778	Manifold–Exhaust (Wide Area Walker)
310B	691263	Screw (Starter Motor)	356A	807594	Wire–Stop (Cylinder 1)	436F	805609	Manifold–Exhaust Screw (Exhaust Manifold)
310C	692329	Screw (Starter Motor) (5–3/8" Long)	357	691483	Key–Drive Pulley	437	691902	Screw (Exhaust Manifold)
311	496887	Brush Set	358	808390	Gasket Set–Engine	439	*692154	Seal–O Ring (Crankcase Cover/Sump)
311A	497608	Brush Set	359	691077	Washer (Ground Terminal)	445	394018	Filter–Air Cleaner Cartridge (Round)
311B	490311	Brush Set (4 9/16" Housing Length)	363	19203	Puller–Flywheel	445A	805113	Filter–Air Cleaner Cartridge (Rectangular)
318	841233	Screw (Mounting Bracket)	365A	690695	Screw (Carburetor)			
322	692067	Screw (Cylinder Head Cover)	373	691612	Nut (Ground Terminal)			
332	690887	Nut (Flywheel)	373A	690713	Nut (Ground Terminal)			
333	492341	Armature–Magneto	377	808095	Key–Woodruff			
			383	19374	Wrench–Spark Plug			
			385	807084	Screw (Fuel Pump)			
			387	808656	Pump–Fuel			
			402	690679	Screw (Oil Filter Cover)			

★ Included in Engine Gasket Set–Ref. No. 358.

● Included in Carburetor Overhaul Kit–Ref. No. 121.

◆ Included in Carburetor Gasket Set–Ref. No. 977.

△ Included in Valve Gasket Set–Ref. No. 1095.

Illustrations cover a range of engines. Parts shown without corresponding text may not be used on your specific engine.

303700

REF. NO.	PART NO.	DESCRIPTION	REF. NO.	PART NO.	DESCRIPTION	REF. NO.	PART NO.	DESCRIPTION
447	841233	Screw (Air Guide Cover)	510B	696540	Drive–Starter	562	690239	Bolt (Governor Control Lever)
447A	807163	Screw (Air Guide Cover)	513	692024	Clutch–Drive	563	691982	Screw (Debris Screen Guard)
455	691517	Cup–Flywheel	515	691528	Spring–Pawl	565	690682	Stud (Oil Filter Adapter)
455A	805153	Cup–Flywheel	520	691084	Terminal–Ground (Brass)	572	690686	Baffle–Breather
456	691529	Plate–Pawl Friction	520A	809077	Terminal–Ground (Ignition Shutoff)	573	841310	Plate–Back
456A	224228	Plate–Pawl Friction	523	692101	Dipstick	578	692306	Wire Assembly (1 Wire, 48–1/2” Long)(Snap Connect Female Pin Socket, And Bare WireEnd)
459	808166	Pawl–Ratchet	524	★692053	Seal–Dipstick Tube	578A	692319	Wire Assembly (With Diodes)
459A	492431	Pawl–Ratchet	525	692093	Tube–Dipstick	596	691492	Screw (Oil Pump)
467	691985	Knob–Air Cleaner	526	692067	Screw (Regulator) (Used Before Code Date 90021000).	597	690876	Screw (Pawl Friction Plate)
467A	690895	Knob–Air Cleaner	526A	690717	Screw (Regulator)(5 To 9 Amp Regulated) (Used After Code Date 90021100).	597A	94463	Screw (Pawl Friction Plate)
474A	696578	Alternator (DC Only)			Note 810084 Screw (Regulator) (Used Before Code Date 90021000).	598	807625	Shim–End Play (Crankshaft)
474B	696459	Alternator (Dual Circuit) Used on Type No(s). 1145, 1147.				601	691638	Clamp–Hose (Silver)
474C	696457	Alternator (Tri Circuit)				601B	691038	Clamp–Hose (Black)
474D	696458	Alternator (Regulated)						Note 95162 Clamp–Hose (Silver)
493	691503	Bracket–Mounting (Rewind Starter)	527	690423	Clamp–Tube	608	692102	Starter–Rewind (Used After Code Date 93072500).
501	691185	Regulator (3 Wire)(16 Amp)	529	690744	Grommet	608B	808152	Starter–Rewind (Used Before Code Date 93072600).
		Note 493219 Regulator (Double Connector Output)	544	690855	Armature–Starter	615	691550	Retainer–Governor Shaft (Used After Code Date 99072000).
501A	691188	Regulator (2 Wire)(9 Amp)	544A	693548	Armature–Starter (Served By 499521 Starter Motor Only)	615A	805417	Retainer–Governor Shaft
503	691532	Strap–Starter	544B					
505	690238	Nut (Governor Control Lever)	544C	490309	Armature–Starter			
506	690677	Screw (Carburetor Cover)	552	690701	Bushing–Governor Crank			
507	691972	Insulator	552A	806686	Bushing–Governor Crank (Used After Code Date 99072000).			
510	496881	Drive–Starter	552B	690702	Bushing–Governor Crank (Used Before Code Date 99072100).			
510A	696541	Drive–Starter						

★ Included in Engine Gasket Set–Ref. No. 358.

● Included in Carburetor Overhaul Kit–Ref. No. 121.

◆ Included in Carburetor Gasket Set–Ref. No. 977.

△ Included in Valve Gasket Set–Ref. No. 1095.

Illustrations cover a range of engines. Parts shown without corresponding text may not be used on your specific engine.

9727–22

Assemblies include all parts shown in frames.

05/06/2004

REF. NO.	PART NO.	DESCRIPTION	REF. NO.	PART NO.	DESCRIPTION	REF. NO.	PART NO.	DESCRIPTION
616	806685	Crank-Governor	706	805484	Washer	797	693167	Nut
616A	690899	Crank-Governor (Used Before Code Date 99072100).			(Breather Assembly) (Used Before Code Date 90111500).			(Brush Retainer)
628A	692062	Screw (Fuel Pump Bracket)	710	807689	Cover-Oil Filter	797A	691029	Nut
		Note	711A	807084	Screw (Carburetor Shield)			(Brush Retainer)
		806660 Screw (Fuel Pump Bracket) Used on Type No(s). 1114, 1169, 1170, 1172.	718	806469	Pin-Locating	801	808778	Cap-Drive
633	◆690738	Seal-Choke/Throttle Shaft	718A	805102	Pin-Locating (Used Before Code Date 90091100).	801B	691283	Cap-Drive
635	692076	Boot-Spark Plug	726		Gear-Ring (Steel)(See Reference 23 for Service)	802	496813	Cap-End
637	●690735	Washer (Throttle Shaft)	726A	841663	Gear-Ring (Aluminum)	802A	691286	Cap-End
638	690706	Washer (Cylinder Head Cover)	729	805827	Clip-Wire (Black)(Spring Steel)	802B	494988	Cap-End (4-3/8" Housing Length)
638A	691551	Washer (Cylinder Head Cover) (Used Before Code Date 03110100).	729A	805965	Clip-Wire (Black)(Vinyl Covered Zinc)			Note
643	692079	Retainer-Air Filter	729B	690586	Clip-Wire (Snap In)(Nylon)			398892
650	691982	Screw (Oil Deflector)	732	690688	Screw (Starter Drive Cover)			Housing-Starter (4 9/16" Housing Length)
668	●690737	Spacer	732A	841233	Screw (Starter Drive Cover)	807	●690733	Spacer-Throttle
668A	691500	Spacer (Knurled Insert)	737	690679	Screw (Oil Filter Adapter)	812	△692055	Nut (Rocker Cover)
676	393761	Deflector-Muffler (Side Out)	739	690451	Clip-Debris	816	690706	Washer (Oil Filter Adapter)
676A	397630	Deflector-Muffler (Dual Louvered)	741	691530	Gear-Timing	819	692056	Screw (Muffler Bracket)
676B	396903	Deflector-Muffler (Direct Out)	742	●805578	Retainer-E Ring	819A	692067	Screw (Muffler Bracket)
677	690661	Screw (Muffler Deflector)	748	692083	Screw (Control Rod Clip)	819B	692198	Screw (Muffler Bracket)
689A	262564	Spring-Friction	773	690875	Retainer (Pawl Friction Plate)	819D	692062	Screw (Muffler Bracket)
691	★690680	Seal-Governor Shaft	783	695708	Gear-Pinion (Services Aluminum Ring Gear Only)			
695	693149	Screw (Ring Gear)	788	691559	Bracket-Fuel Pump			
697	692062	Screw (Drive Cap)	789	695050	Harness-Wiring Used on Type No(s). 1114, 1166.			

★ Included in Engine Gasket Set-Ref. No. 358.

● Included in Carburetor Overhaul Kit-Ref. No. 121.

◆ Included in Carburetor Gasket Set-Ref. No. 977.

△ Included in Valve Gasket Set-Ref. No. 1095.

Illustrations cover a range of engines. Parts shown without corresponding text may not be used on your specific engine.
9727-23 Assemblies include all parts shown in frames. **05/06/2004**

303700

REF. NO.	PART NO.	DESCRIPTION	REF. NO.	PART NO.	DESCRIPTION	REF. NO.	PART NO.	DESCRIPTION
830	809157	Stud-Rocker Arm (Used After Code Date 96033100).	868	★△691963	Seal-Valve	918	393815	Hose-Vacuum (Cut To Required Length)
830A	691497	Stud-Rocker Arm (Used Before Code Date 96040100).	871	692057	Bushing-Valve Guide	947	806472	Solenoid-Fuel (Used After Code Date 98062600).
832	692361	Guard-Muffler Used on Type No(s). 1128, 1142, 1149, 1169, 1171.	875	690894	Base-Air Cleaner (Plastic)	947B	807744	Solenoid-Fuel (Used Before Code Date 98062700).
833	690872	Screw (Air Cleaner Mounting Strap/Stud) (Used After Code Date 97103100)	876	696539	Kit-Pinion Spring	949	690475	Guard-Debris Screen
833A	841233	Screw (Air Cleaner Mounting Strap/Stud)	877	393537	Wire/Connector-Alternator (Tri Circuit)	950	691511	Screw-Float Bowl
833B	690699	Screw (Air Cleaner Mounting Strap/Stud)	877A	393814	Wire/Connector-Alternator (DC Only)	955	807714	Plug-Carburetor
836	691982	Screw (Muffler Guard) Used on Type No(s). 1128, 1142, 1149, 1169, 1171, 1192, 1194.	877B	399916	Wire/Connector-Alternator (2 Wires, 7-53/64" Long)(2 Bare Wire Ends, And Insulated Snap Connect Male Pin Terminal)	958A	698183	Valve-Fuel Shut Off (Plastic)
842	★691870	Seal-O Ring (Dipstick Tube)	877C	393456	Wire/Connector-Alternator (Dual Circuit)	967	272490	Filter-Pre Cleaner (Round)
851	493880	Terminal-Spark Plug	878	691955	Harness-Alternator (3 Wires, 5", 48", And 48" Long)(Snap Connect Pin Socket, 2 Bare Wire Ends, And 2 Insulated Rectifier	967A	805267	Filter-Pre Cleaner (Rectangular) Used on Type No(s). 0119.
862	692542	Strap/Stud-Air Cleaner Mounting	878A	691237	Harness-Alternator (2 Wires, 48-1/2", And 48-1/2" Long)(Snap Connect Female Pin Terminal,And 2 Bare Wire Ends)	968	692097	Cover-Air Cleaner (Used With Metal Air Cleaner Base)
862A	690896	Strap/Stud-Air Cleaner Mounting	879	690757	Cover-Carburetor	968A	690694	Cover-Air Cleaner (Used With Plastic Air Cleaner Base)
863	691513	Bracket-Muffler	882	692074	Flange-Exhaust	971A	690699	Screw (Air Cleaner Base to Carburetor)
863A	224359	Bracket-Muffler	883A	△★691613	Gasket-Exhaust	975	807715	Bowl-Float
865	690750	Cover-Air Guide (Black)	884	690898	Clamp-Muffler (1 9/64" Inside Diameter)	977	808325	Gasket Set-Carburetor (Used After Code Date 92040600).
865A	690901	Cover-Air Guide (Black)	884A	691956	Clamp-Muffler (1 1/4" Inside Diameter)			————— Note ————— 807716 Gasket Set-Carburetor (Used Before Code Date 92040700).
		————— Note ————— 807653 Cover-Air Guide (Red)	896	691641	Pin-Drive Retainer	987	◆●691548	Seal-Throttle Shaft (Used After Code Date 92040600).
								————— Note ————— 690734 Seal-Throttle Shaft (Used Before Code Date 92040700).

★ Included in Engine Gasket Set-Ref. No. 358.

● Included in Carburetor Overhaul Kit-Ref. No. 121.

◆ Included in Carburetor Gasket Set-Ref. No. 977.

△ Included in Valve Gasket Set-Ref. No. 1095.

Illustrations cover a range of engines. Parts shown without corresponding text may not be used on your specific engine.

REF. NO.	PART NO.	DESCRIPTION	REF. NO.	PART NO.	DESCRIPTION	REF. NO.	PART NO.	DESCRIPTION
988	★692063	Gasket–Oil Adapter	1028	808235	Adapter–Oil Filter	1037	●807717	Ball–Choke Locator
988A	★690687	Gasket–Oil Adapter	1029	691543	Arm–Rocker (Used After Code Date 96033100).	1051	●690736	Ring–Retaining
994	392390	Arrestor–Spark				1051A	691124	Ring–Retaining (Starter Pinion)
996	691577	Shield–Carburetor				1051B	691265	Ring–Retaining
996A	690696	Shield–Carburetor	1029A	692103	Arm–Rocker (Used Before Code Date 96040100).	1054	280275	Tie–Cable
1004	690743	Duct–Air (Used With Metal Air Cleaner Base)				1058	275071	Operator's Manual
1004A	692538	Duct–Air (Used With Plastic Air Cleaner Base)	1030	691496	Support–Rocker Arm	1083	691626	Nut (End Cap)
1011	692929	Tube–Vent (Cut To Required Length)	1031	690693	Shaft–Rocker Arm	1083A	690958	Nut (End Cap)
1017	690878	Screen–Oil Pump	1036	806882	Label–Emissions (Used After Code Date 00063000).	1090	691293	Retainer–Brush
1019	808036	Kit–Label				1091	●691515	Cap–Limiter
1022	△★806039	Gasket–Rocker Cover				1095	808392	Gasket Set–Valve
1023A	691558	Cover–Rocker (Cylinder 1)(With Fuel Pump)				1100	690973	Pivot–Rocker Arm
1023B	691494	Cover–Rocker				1119	691552	Screw (Alternator)
1024	693186	Pump–Oil				1121	810056	Nut (Fuel Pump Bracket)
1025	690689	Spool–Governor				1122	93410	Screw (Blower Housing Adapter)
1026	691836	Rod–Push (Intake)(Steel) ————— Note ————— 691758 Rod–Push (Exhaust)(Aluminum)				1130	690746	Stud (Intake Manifold)
1027	492932	Filter–Oil (2 1/4" Long) ————— Note ————— 491056 Filter–Oil (3 1/4" Long)				1134	94464	Washer (Pawl Friction Plate)
						1134A	94462	Washer (Pawl Friction Plate)
						1135	806497	Washer (Crankcase Cover/Sump)
						1139	806497	Washer (Fuel Pump Bracket)
						1330	272144	Repair Manual

★ Included in Engine Gasket Set–Ref. No. 358.

● Included in Carburetor Overhaul Kit–Ref. No. 121.

◆ Included in Carburetor Gasket Set–Ref. No. 977.

△ Included in Valve Gasket Set–Ref. No. 1095.

Illustrations cover a range of engines. Parts shown without corresponding text may not be used on your specific engine.
9727–25 Assemblies include all parts shown in frames. **05/06/2004**